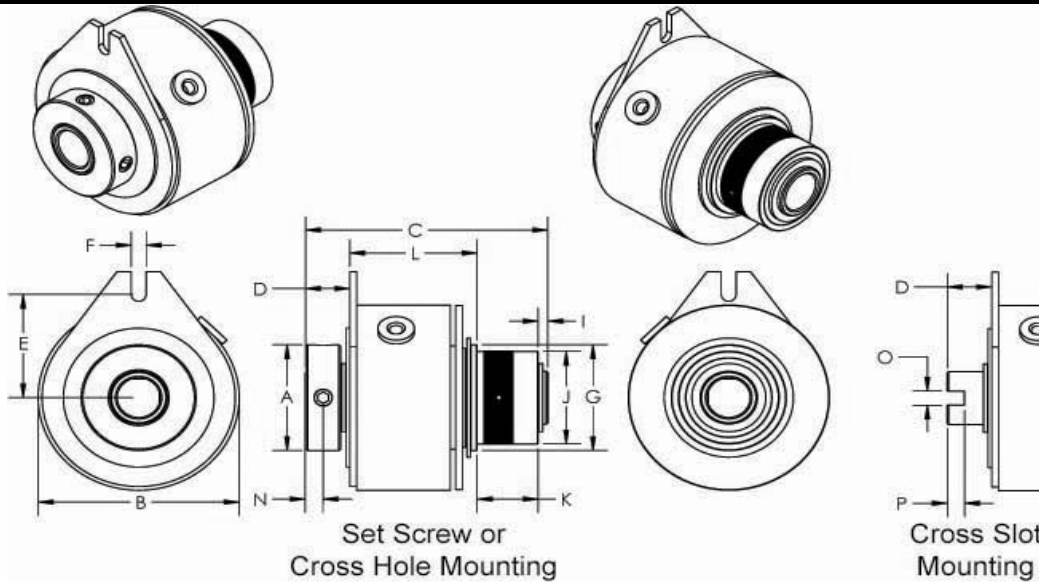


M75D



Tiny-Clutch M75D M-Series Magnetic Spring Clutch

Specifications:		Options:	
Max Torque	50 in/lbs	Bore	5/16", 3/8", 8mm, 9mm, 10mm
Max Speed	1200 RPM	Mounting	Set Screw, Cross Hole, Cross Slot,
Dimension A	1.00 in *		Set Screw & Cross Hole
Dimension B	1.75 in	Drive	Clockwise, Counter Clockwise
Dimension C	2.11 in	Voltage	12VDC, 24VDC, 90VDC
Dimension D	0.39 in	Hub Type	Knurled Drum, Plain Drum
Dimension E	0.98 in		
Dimension F	0.13 in		
Dimension G	1.00 in		
Dimension I	0.08 in		
Dimension J	0.875 in		
Dimension K	0.53 in		
Dimension L	1.11 in		
Dimension N	0.15 in *		
Dimension O	0.13 in **		
Dimension P	0.15 in **		

* N/A For -CS ** For -CS Only

Tiny-Clutch | Helander Products, Inc.

www.TinyClutch.com

TinyClutch@HelanderProducts.com

860.669.7953